

Wall & Desktop Switching Adapter

I.T.E, Industrial, Office,
Home



Medical, Caring systems



POS, Printer, Game,
Storage



Showroom machine,
Kiosk, Robot



Purifier and Cleaner



LCD, LED relatives



Surveillance video
systems, CCTV



Peak current, Custom
specification



Charger for Wheelchairs,
Marine



AC/DC Wall Mount Adapter

Vertical (USB & SR Type)



Horizontal (USB & SR Type)



Features

- 100-240VAC Universal Input
- Protections :
Short circuit / Over voltage / Over current
- Energy Efficiency Level VI or CoC Tier II
- No Load Power Consumption $\leq 0.1W$ (VI), $\leq 0.075W$ (Tier II)
- MTBF > 100,000 hours

EA1005 X Y Z T - vv PP

- X:** Output range
Y: Case type: (V)Vertical or (H)Horizontal
Z: AC plug type: • U: USA • E: EU • K: UK
T: Output type: U (USB) or S (SR)
vv: Specified output voltage, i.e. 12 is 12VDC
PP: DC plug type, i.e. Code 01 for 5.5x2.1mm or other options (refer to the appendix page)

MODEL No.	MAX. OUTPUT POWER (W)	OUTPUT VOLTAGE (Vo)	MIN. LOAD (Io)	MAX. LOAD (Io)	LOAD REGULATION	LINE REGULATION	RIPPLE & NOISE
EA1005A	6W	5~8V	0A	1.2A	$\pm 5\%$	$\pm 1\%$	100mV
EA1005B	6W	9~12V	0A	0.66A	$\pm 5\%$	$\pm 1\%$	180mV
EA1005C	4.5W	9V	0A	0.5A	$\pm 5\%$	$\pm 1\%$	180mV
EA1005D	6W	9V	0A	0.67A	$\pm 5\%$	$\pm 1\%$	180mV

NOTE:

- 1 : Ripple & Noise is measured by using 20MHz bandwidth limited oscilloscope and terminated each output with a 0.1uF ceramic capacitor & parallel with 47uF aluminum capacitor at full load and nominal line.
- 2 : Line regulation is defined by changing $\pm 10\%$ of input voltage from nominal line at rated load.
- 3 : Max. Power (W) $\geq V_o \times I_o$

Electrical Specification

INPUT

- Input Range: 100 to 240 VAC
- Frequency: 50 to 60Hz
- Input Current: $\leq 0.6A$
- Inrush Current: 30A/100VAC 60A/230VAC
- Hold Up Time: $\geq 8.3ms$
- Turn On Time: $\leq 3s$

OUTPUT

- Short Circuit Protection: Auto Recovery
- Over Voltage Protection: Auto Recovery
- Over Current Protection: Auto Recovery

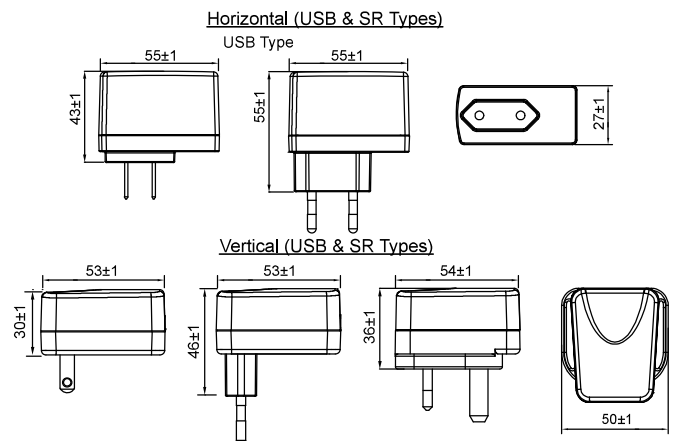
ENVIRONMENT

- Operating Temperature: 0 to 40°C
- Storage Temperature: -20 to 85°C
- Operating Humidity: 10% to 90%
- Storage Humidity: 5% to 95%

SAFETY

- Certified for whole series: UL/cUL 62368-1, TUV EN 62368-1, CB IEC 62368-1, FCC, CE
- Certified for assigned models: CCC, BSMI

Mechanical Specification



- Case Size: Horizontal: USB: 55L x 27W x 55H (mm)
SR: 55L x 25W x 55H (mm)
Vertical: USA, EU: 53L x 41W x 46H (mm)
UK: 54L x 50W x 36H (mm)
- AC Plug: U: USA, E: EU, K: UK
- Weight: 70g

AC/DC Interchangeable Adapter

Features

- 100-240VAC Universal Input
- LPS Compliance
- Protections:
 - Short circuit / Over voltage / Over current
- Energy Efficiency Level VI or CoC Tier II
- No Load Power Consumption $\leq 0.1W$ (VI), $\leq 0.075W$ (Tier II)
- MTBF > 100,000 hours



EA1019 X Y R T - vv PP

- X:** Output range
Y: Case type: (V)Vertical
R: Interchangeable AC plug:
 • U: USA • E: EU • K: UK • A: SAA • C: China
 • S: South Africa • B: Korea • I: India
T: Output type: S (SR)
vv: Specified output voltage, i.e. 12 is 12VDC
PP: DC plug type, i.e. Code 01 for 5.5x2.1mm or other options (refer to the appendix page)

MODEL No.	MAX. OUTPUT POWER (W)	OUTPUT VOLTAGE (Vo)	MIN. LOAD (Io)	MAX. LOAD (Io)	LOAD REGULATION	LINE REGULATION	RIPPLE & NOISE
EA1019AVRS	15W	5-8V	0A	3.0A	$\pm 5\%$	$\pm 1\%$	100mV
EA1019BVRS	20W	9-13V	0A	2.0A	$\pm 5\%$	$\pm 1\%$	180mV
EA1019CVRS	20W	14-19V	0A	1.42A	$\pm 5\%$	$\pm 1\%$	200mV
EA1019DVRS	20W	20-27V	0A	1.0A	$\pm 5\%$	$\pm 1\%$	250mV
EA1019EVRS	20W	28-35V	0A	0.71A	$\pm 5\%$	$\pm 1\%$	280mV
EA1019FVRS	20W	36-48V	0A	0.55A	$\pm 5\%$	$\pm 1\%$	360mV
EA1019GVRS	18W	5-8V	0A	3.0A	$\pm 5\%$	$\pm 1\%$	100mV
EA1019HVRS	24W	9-13V	0A	2.0A	$\pm 5\%$	$\pm 1\%$	180mV
EA1019JVRS	24W	14-19V	0A	1.71A	$\pm 5\%$	$\pm 1\%$	200mV
EA1019KVRS	24W	20-27V	0A	1.2A	$\pm 5\%$	$\pm 1\%$	250mV
EA1019MVRS	24W	28-35V	0A	0.85A	$\pm 5\%$	$\pm 1\%$	280mV
EA1019NVRS	24W	36-48V	0A	0.66A	$\pm 5\%$	$\pm 1\%$	360mV

NOTE:

- 1 : Ripple & Noise is measured by using 20MHz bandwidth limited oscilloscope and terminated each output with a 0.1uF ceramic capacitor & parallel with 47uF aluminum capacitor at full load and nominal line.
- 2 : Line regulation is defined by changing $\pm 10\%$ of input voltage from nominal line at rated load.
- 3 : Max. Power (W) $\geq V_o \times I_o$

Electrical Specification

INPUT

- Input Range: 100 to 240 VAC
- Frequency: 50 to 60Hz
- Input Current: $\leq 0.8A$
- Inrush Current: 40A/100VAC 80A/230VAC
- Hold Up Time: $\geq 8.3ms$
- Turn On Time: $\leq 3s$

OUTPUT

- Short Circuit Protection: Auto Recovery
- Over Voltage Protection: Auto Recovery
- Over Current Protection: Auto Recovery

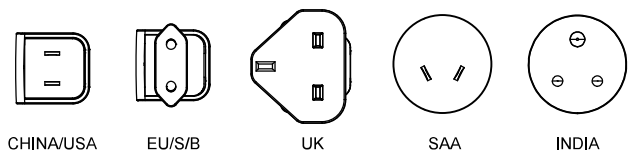
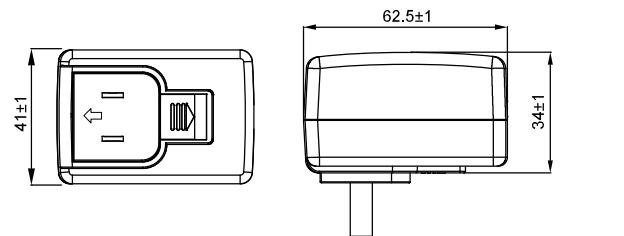
ENVIRONMENT

- Operating Temperature: 0 to 40°C
- Storage Temperature: -20 to 85°C
- Operating Humidity: 10% to 90%
- Storage Humidity: 5% to 95%

SAFETY

- Certified for whole series: UL/cUL 62368-1, TUV EN 62368-1, CB IEC 62368-1, FCC, CE
- Certified for assigned models: CCC, BSMI, PSE, Argentina

Mechanical Specification



- Case Size: 62.5L x 41W x 34H (mm)
- AC Plug: U: USA, E: EU, K: UK, A: SAA, C: China
S: South Africa, B: Korea, I: India
- Weight: 150g

AC/DC Wall Mount Adapter



Features

- 100-240VAC Universal Input
- LPS Compliance
- Protections:
 - Short circuit / Over voltage / Over current
- Energy Efficiency Level VI or CoC Tier II
- No Load Power Consumption $\leq 0.1W$ (VI), $\leq 0.075W$ (Tier II)
- MTBF > 100,000 hours

EA1024 X Y - vv PP

X: Output range

Y: AC plug: • U: USA • E: EU • K: UK • A: SAA

vv: Specified output voltage, i.e. 12 is 12VDC

PP: DC plug type, i.e. Code 01 for 5.5x2.1mm or other options (refer to the appendix page)

MODEL No.	MAX. OUTPUT POWER (W)	OUTPUT VOLTAGE (Vo)	MIN. LOAD (Io)	MAX. LOAD (Io)	LOAD REGULATION	LINE REGULATION	RIPPLE & NOISE
EA1024AY	16W	5~8V	0A	2.0A	± 5%	± 1%	100mV
EA1024BY	20W	5~8V	0A	3.0A	± 5%	± 1%	100mV
EA1024CY	24W	5~8V	0A	4.0A	± 5%	± 1%	100mV
EA1024DY	18W	9~11V	0A	1.5A	± 5%	± 1%	250mV
EA1024EY	24W	9~11V	0A	2.0A	± 5%	± 1%	250mV
EA1024FY	27W	9~11V	0A	3.0A	± 5%	± 1%	250mV
EA1024GY	20W	12~17V	0A	1.66A	± 5%	± 1%	250mV
EA1024HY	30W	12~17V	0A	2.5A	± 5%	± 1%	250mV
EA1024JY	24W	18~24V	0A	1.33A	± 5%	± 1%	350mV
EA1024KY	30W	18~24V	0A	1.66A	± 5%	± 1%	350mV
EA1024MY	20W	36~48V	0A	0.55A	± 5%	± 1%	480mV
EA1024NY	30W	36~48V	0A	0.83A	± 5%	± 1%	480mV
EA1024PY	36W	12V	0A	3.0A	± 5%	± 1%	250mV
EA1024QY	24W	12V	0A	2.0A	± 5%	± 1%	250mV
EA1024RY	36W	24V	0A	1.5A	± 5%	± 1%	350mV

NOTE:

1 : Ripple & Noise is measured by using 20MHz bandwidth limited oscilloscope and terminated each output with a 0.1uF ceramic capacitor & parallel with 47uF aluminum capacitor at full load and nominal line.

2 : Line regulation is defined by changing $\pm 10\%$ of input voltage from nominal line at rated load.

3 : Max. Power (W) $\geq V_o \times I_o$

Electrical Specification

INPUT

- Input Range: 100 to 240 VAC
- Frequency: 50 to 60Hz
- Input Current: $\leq 1.0A$
- Inrush Current: 30A/100VAC 60A/230VAC
- Hold Up Time: $\geq 8.3ms$
- Turn On Time: $\leq 3s$

OUTPUT

- Short Circuit Protection: Auto Recovery
- Over Voltage Protection: Latch-off
- Over Current Protection: Auto Recovery

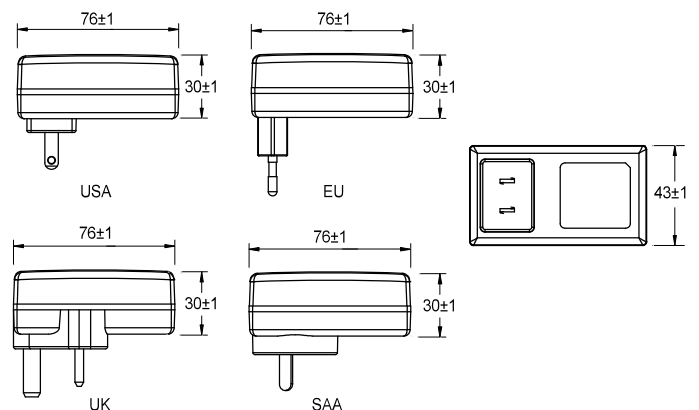
ENVIRONMENT

- Operating Temperature: 0 to 40°C
- Storage Temperature: -20 to 85°C
- Operating Humidity: 10% to 90%
- Storage Humidity: 5% to 95%

SAFETY

- Certified for whole series: UL/cUL 62368-1, TUV EN 62368-1, CB IEC 62368-1, FCC, CE
- Certified for assigned models: CCC, BSMI, PSE, RCM, CU, NRCAN

Mechanical Specification



- Case Size: 76L x 43W x 30H (mm)
- AC Plug: U: USA, E: EU, K: UK, A: SAA
- Weight: 200g

AC/DC Interchangeable Adapter



Features

- 100-240VAC Universal Input
- LPS Compliance
- Protections:
 - Short circuit / Over voltage / Over current
- Energy Efficiency Level VI or CoC Tier II
- No Load Power Consumption $\leq 0.1W$ (VI), $\leq 0.075W$ (Tier II)
- MTBF > 100,000 hours

EA1024 X R - vv PP

- X:** Output range
R: Interchangeable AC plug:
 - U: USA • E: EU • K: UK • A: SAA • C: China
 - S: South Africa • B: Korea • I: India
- vv:** Specified output voltage, i.e. 12 is 12VDC
PP: DC plug type, i.e. Code 01 for 5.5x2.1mm or other options (refer to the appendix page)

MODEL No.	MAX. OUTPUT POWER (W)	OUTPUT VOLTAGE (Vo)	MIN. LOAD (Io)	MAX. LOAD (Io)	LOAD REGULATION	LINE REGULATION	RIPPLE & NOISE
EA1024AR	16W	5~8V	0A	2.0A	± 5%	± 1%	100mV
EA1024BR	20W	5~8V	0A	3.0A	± 5%	± 1%	100mV
EA1024CR	24W	5~8V	0A	4.0A	± 5%	± 1%	100mV
EA1024DR	18W	9~11V	0A	1.5A	± 5%	± 1%	250mV
EA1024ER	24W	9~11V	0A	2.0A	± 5%	± 1%	250mV
EA1024FR	27W	9~11V	0A	3.0A	± 5%	± 1%	250mV
EA1024GR	20W	12~17V	0A	1.66A	± 5%	± 1%	250mV
EA1024HR	30W	12~17V	0A	2.5A	± 5%	± 1%	250mV
EA1024JR	24W	18~24V	0A	1.33A	± 5%	± 1%	350mV
EA1024KR	30W	18~24V	0A	1.66A	± 5%	± 1%	350mV
EA1024MR	20W	36~48V	0A	0.55A	± 5%	± 1%	480mV
EA1024NR	30W	36~48V	0A	0.83A	± 5%	± 1%	480mV
EA1024PR	36W	12V	0A	3.0A	± 5%	± 1%	250mV
EA1024QR	24W	12V	0A	2.0A	± 5%	± 1%	250mV
EA1024RR	36W	24V	0A	1.5A	± 5%	± 1%	350mV

NOTE:

- 1 : Ripple & Noise is measured by using 20MHz bandwidth limited oscilloscope and terminated each output with a 0.1uF ceramic capacitor & parallel with 47uF aluminum capacitor at full load and nominal line.
- 2 : Line regulation is defined by changing $\pm 10\%$ of input voltage from nominal line at rated load.
- 3 : Max. Power (W) $\geq V_o \times I_o$

Electrical Specification

INPUT

- Input Range: 100 to 240 VAC
- Frequency: 50 to 60Hz
- Input Current: $\leq 1.0A$
- Inrush Current: 30A/100VAC 60A/230VAC
- Hold Up Time: $\geq 8.3ms$
- Turn On Time: $\leq 3s$

OUTPUT

- Short Circuit Protection: Auto Recovery
- Over Voltage Protection: Latch-off
- Over Current Protection: Auto Recovery

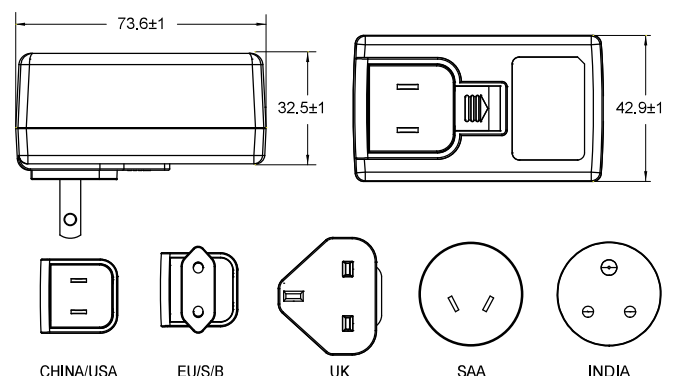
ENVIRONMENT

- Operating Temperature: 0 to 40°C
- Storage Temperature: -20 to 85°C
- Operating Humidity: 10% to 90%
- Storage Humidity: 5% to 95%

SAFETY

- Certified for whole series: UL/cUL 62368-1, TUV EN 62368-1, CB IEC 62368-1, FCC, CE
- Certified for assigned models: CCC, BSMI, PSE, RCM, KC, BIS, CU, PSB, NRCAN

Mechanical Specification



- Case Size: 73.6L x 42.9W x 32.5H (mm)
- AC Plug: U: USA, E: EU, K: UK, A: SAA, C: China
S: South Africa, B: Korea, I: India
- Weight: 200g

AC/DC Desktop Adapter



Features

- 100-240VAC Universal Input
- LED Indicator (optional)
- LPS Compliance
- Protections:
 - Short circuit / Over voltage / Over current
- Energy Efficiency Level VI or CoC Tier II
- No Load Power Consumption $\leq 0.1W$ (VI), $\leq 0.075W$ (Tier II)
- MTBF > 100,000 hours

EA1024 X Y - vv PP

- X:** Output range
Y: AC inlet: 1. C14 2. C8 3. C6 6. C18
vv: Specified output voltage, i.e. 12 is 12VDC
PP: DC plug type, i.e. Code 01 for 5.5x2.1mm or other options (refer to the appendix page)

MODEL No.	MAX. OUTPUT POWER (W)	OUTPUT VOLTAGE (Vo)	MIN. LOAD (Io)	MAX. LOAD (Io)	LOAD REGULATION	LINE REGULATION	RIPPLE & NOISE
EA1024AY	16W	5~8V	0A	2.0A	$\pm 5\%$	$\pm 1\%$	100mV
EA1024BY	20W	5~8V	0A	3.0A	$\pm 5\%$	$\pm 1\%$	100mV
EA1024CY	24W	5~8V	0A	4.0A	$\pm 5\%$	$\pm 1\%$	100mV
EA1024DY	18W	9~11V	0A	1.5A	$\pm 5\%$	$\pm 1\%$	250mV
EA1024EY	24W	9~11V	0A	2.0A	$\pm 5\%$	$\pm 1\%$	250mV
EA1024FY	27W	9~11V	0A	3.0A	$\pm 5\%$	$\pm 1\%$	250mV
EA1024GY	20W	12~17V	0A	1.66A	$\pm 5\%$	$\pm 1\%$	250mV
EA1024HY	30W	12~17V	0A	2.5A	$\pm 5\%$	$\pm 1\%$	250mV
EA1024JY	24W	18~24V	0A	1.33A	$\pm 5\%$	$\pm 1\%$	350mV
EA1024KY	30W	18~24V	0A	1.66A	$\pm 5\%$	$\pm 1\%$	350mV
EA1024MY	20W	36~48V	0A	0.55A	$\pm 5\%$	$\pm 1\%$	480mV
EA1024NY	30W	36~48V	0A	0.83A	$\pm 5\%$	$\pm 1\%$	480mV
EA1024PY	36W	12V	0A	3.0A	$\pm 5\%$	$\pm 1\%$	250mV
EA1024QY	24W	12V	0A	2.0A	$\pm 5\%$	$\pm 1\%$	250mV
EA1024RY	36W	24V	0A	1.5A	$\pm 5\%$	$\pm 1\%$	350mV

NOTE:

- 1 : Ripple & Noise is measured by using 20MHz bandwidth limited oscilloscope and terminated each output with a 0.1uF ceramic capacitor & parallel with 47uF aluminum capacitor at full load and nominal line.
- 2 : Line regulation is defined by changing $\pm 10\%$ of input voltage from nominal line at rated load.
- 3 : Max. Power (W) $\geq V_o \times I_o$

Electrical Specification

INPUT

- Input Range: 100 to 240 VAC
- Frequency: 50 to 60Hz
- Input Current: $\leq 1.0A$
- Inrush Current: 30A/100VAC 60A/230VAC
- Hold Up Time: $\geq 8.3ms$
- Turn On Time: $\leq 3s$

OUTPUT

- Short Circuit Protection: Auto Recovery
- Over Voltage Protection: Latch-off
- Over Current Protection: Auto Recovery

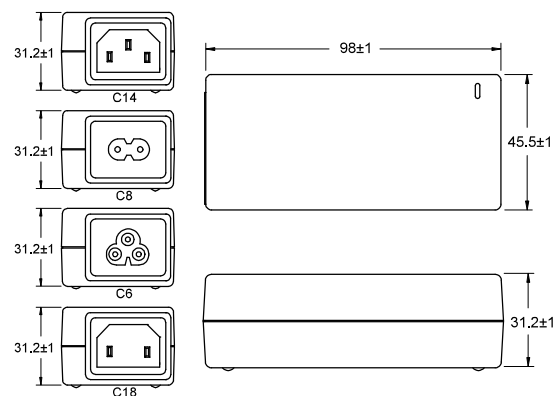
ENVIRONMENT

- Operating Temperature: 0 to 40°C
- Storage Temperature: -20 to 85°C
- Operating Humidity: 10% to 90%
- Storage Humidity: 5% to 95%

SAFETY

- Certified for whole series: UL/cUL 62368-1, TUV EN 62368-1, CB IEC 62368-1, FCC, CE
- Certified for assigned models: CCC, BSMI, PSE, RCM, KC, BIS, CU, PSB, NRCAN, Argentina

Mechanical Specification



- Case Size: 98L x 45.5W x 31.2H (mm)
- AC Inlet: C14, C8, C6, C18
- Weight: 200g

USB Type-C Adapter



Features

- 100-240VAC Universal Input
- USB Power Delivery Function
- LED Indicator
- Protections:
 - Short circuit / Over voltage / Over current
 - Over temperature (optional)
- Energy Efficiency Level VI
- No Load Power Consumption $\leq 0.1W$
- MTBF > 100,000 hours

EA1045 X Y - PP

X: Output range

Y: AC inlet: 1. C14 2. C8 3. C6 6. C18

PP: DC plug Code 92 for USB Type-C

MODEL No.	MAX. OUTPUT POWER (W)	OUTPUT VOLTAGE (Vo)	MIN. LOAD (Io)	MAX. LOAD (Io)	LOAD REGULATION	LINE REGULATION	RIPPLE & NOISE
EA1045AY	30W	5V	0A	3.0A	$\pm 5\%$	$\pm 1\%$	100mV
		9V	0A	3.0A	$\pm 5\%$	$\pm 1\%$	180mV
		15V	0A	2.0A	$\pm 5\%$	$\pm 1\%$	300mV
		20V	0A	1.5A	$\pm 5\%$	$\pm 1\%$	360mV
EA1045BY	36W	5V	0A	3.0A	$\pm 5\%$	$\pm 1\%$	100mV
		9V	0A	3.0A	$\pm 5\%$	$\pm 1\%$	180mV
		15V	0A	2.4A	$\pm 5\%$	$\pm 1\%$	300mV
		20V	0A	1.8A	$\pm 5\%$	$\pm 1\%$	360mV
EA1045CY	45W	5V	0A	3.0A	$\pm 5\%$	$\pm 1\%$	100mV
		9V	0A	3.0A	$\pm 5\%$	$\pm 1\%$	180mV
		15V	0A	3.0A	$\pm 5\%$	$\pm 1\%$	300mV
		20V	0A	2.25A	$\pm 5\%$	$\pm 1\%$	360mV
EA1045DY	30W	5V	0A	3.0A	$\pm 5\%$	$\pm 1\%$	100mV
		9V	0A	3.0A	$\pm 5\%$	$\pm 1\%$	180mV
		12V	0A	2.5A	$\pm 5\%$	$\pm 1\%$	200mV
		15V	0A	2.0A	$\pm 5\%$	$\pm 1\%$	300mV
EA1045EY	36W	5V	0A	3.0A	$\pm 5\%$	$\pm 1\%$	100mV
		9V	0A	3.0A	$\pm 5\%$	$\pm 1\%$	180mV
		12V	0A	3.0A	$\pm 5\%$	$\pm 1\%$	200mV
		15V	0A	2.4A	$\pm 5\%$	$\pm 1\%$	300mV
EA1045FY	45W	5V	0A	3.0A	$\pm 5\%$	$\pm 1\%$	100mV
		9V	0A	3.0A	$\pm 5\%$	$\pm 1\%$	180mV
		12V	0A	3.0A	$\pm 5\%$	$\pm 1\%$	200mV
		15V	0A	3.0A	$\pm 5\%$	$\pm 1\%$	300mV
		20V	0A	2.25A	$\pm 5\%$	$\pm 1\%$	360mV

NOTE:

1 : Ripple & Noise is measured by using 20MHz bandwidth limited oscilloscope and terminated each output with a 0.1uF ceramic capacitor & parallel with 47uF aluminum capacitor at full load and nominal line.

2 : Line regulation is defined by changing $\pm 10\%$ of input voltage from nominal line at rated load.

3 : Max. Power (W) $\geq V_o \times I_o$

Electrical Specification

INPUT

- Input Range: 100 to 240 VAC
- Frequency: 50 to 60Hz
- Input Current: $\leq 1.5A$
- Inrush Current: 50A/100VAC 100A/230VAC
- Hold Up Time: $\geq 8.3ms$
- Turn On Time: $\leq 3s$

OUTPUT

- Short Circuit Protection: Auto Recovery
- Over Voltage Protection: Auto Recovery
- Over Current Protection: Auto Recovery
- Over Temperature Protection: Auto Recovery or Latch-off (optional)

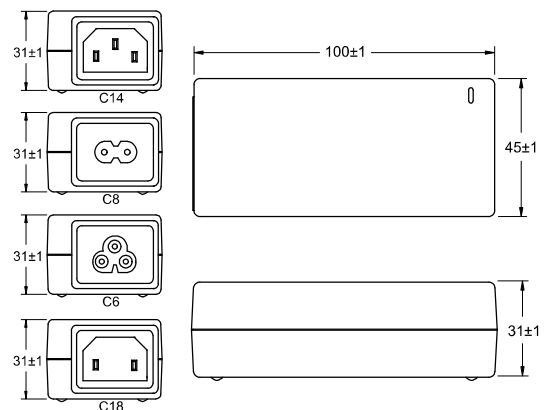
ENVIRONMENT

- Operating Temperature: 0 to 40°C
- Storage Temperature: -20 to 85°C
- Operating Humidity: 10% to 90%
- Storage Humidity: 5% to 95%

SAFETY

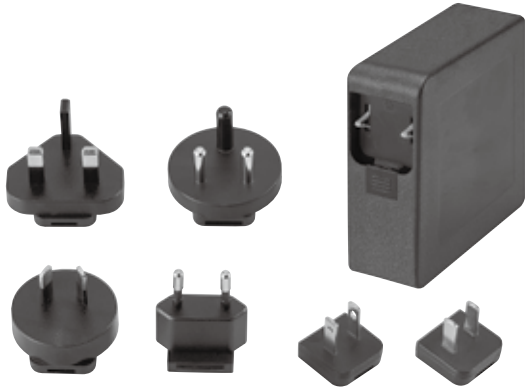
- Complied with UL/cUL 62368-1, TUV EN 62368-1, CB IEC 62368-1, FCC, CE
- Certified for assigned models: CCC, PSE

Mechanical Specification



- Case Size: 100L x 45W x 31H (mm)
- AC Inlet: C14, C8, C6, C18
- Weight: 200g

AC/DC Interchangeable Adapter



Features

- 100-240VAC Universal Input
- LED Indicator
- LPS Compliance
- Protections:
 - Short circuit / Over voltage / Over current
 - Over temperature (optional)
- Energy Efficiency Level VI
- No Load Power Consumption $\leq 0.21W$
- MTBF >100,000 hours

EA1062S X R - vv PP

- X:** Output range
- R:** Interchangeable AC plug:
- U: USA • E: EU • K: UK • A: SAA • C: China
 - S: South Africa • B: Korea • I: India
- vv:** Specified output voltage, i.e. 24 is 24VDC
- PP:** DC plug type, i.e. Code 01 for 5.5x2.1mm or other options (refer to the appendix page)

MODEL No.	MAX. OUTPUT POWER (W)	OUTPUT VOLTAGE (Vo)	MIN. LOAD (Io)	MAX. LOAD (Io)	LOAD REGULATION	LINE REGULATION	RIPPLE & NOISE
EA1062SCR	65W	18V~24V	0A	3.61A	$\pm 5\%$	$\pm 1\%$	360mV
EA1062SDR	60W	18V~24V	0A	3.33A	$\pm 5\%$	$\pm 1\%$	360mV
EA1062SGR	65W	48-56V	0A	1.35A	$\pm 5\%$	$\pm 1\%$	840mV

NOTE:

- 1 : Ripple & Noise is measured by using 20MHz bandwidth limited oscilloscope and terminated each output with a 0.1uF ceramic capacitor & parallel with 47uF aluminum capacitor at full load and nominal line.
- 2 : Line regulation is defined by changing $\pm 10\%$ of input voltage from nominal line at rated load.
- 3 : Max. Power (W) $\geq V_o \times I_o$

Electrical Specification

INPUT

- Input Range: 100 to 240 VAC
- Frequency: 50 to 60Hz
- Input Current: $\leq 2.5A$
- Inrush Current: 50A/100VAC 100A/230VAC
- Hold Up Time: $\geq 8.3ms$
- Turn On Time: $\leq 3s$

OUTPUT

- Short Circuit Protection: Auto Recovery
- Over Voltage Protection: Auto Recovery
- Over Current Protection: Auto Recovery
- Over Temperature Protection: Optional

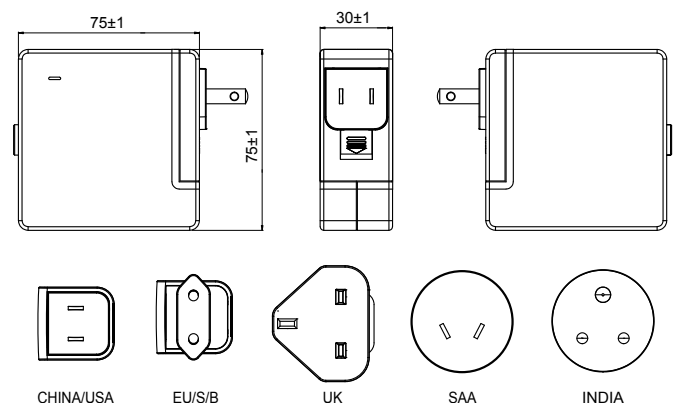
ENVIRONMENT

- Operating Temperature: 0 to 40°C
- Storage Temperature: -20 to 85°C
- Operating Humidity: 10% to 90%
- Storage Humidity: 5% to 95%

SAFETY

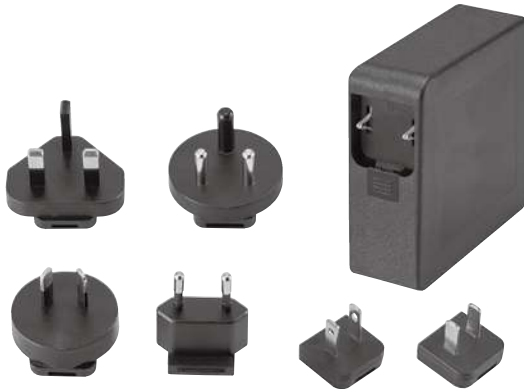
- Certified for whole series: UL/cUL 62368-1, TUV EN 62368-1, CB IEC 62368-1, FCC, CE
- Certified for assigned models: CCC

Mechanical Specification



- Case Size: 75 x 75W x 30H (mm)
- AC Plug: U: USA, E: EU, K: UK, A: SAA, C: China
S: South Africa, B: Korea, I: India
- Weight: 300g

USB Type-C Adapter



Features

- USB Power Delivery Function
- 100-240VAC Universal Input
- LED Indicator
- LPS Compliance
- Protections:
 - Short circuit / Over voltage / Over current
 - Over temperature (optional)
- Energy Efficiency Level VI
- No Load Power Consumption $\leq 0.21W$
- MTBF > 100,000 hours

EA1062S X R - PP

- X:** Output range
R: Interchangeable AC plug:
 - U: USA • E: EU • K: UK • A: SAA • C: China
 - S: South Africa • B: Korea • I: India
- PP:** DC plug code 92 for USB Type-C

MODEL No.	MAX. OUTPUT POWER (W)	OUTPUT VOLTAGE (Vo)	MIN. LOAD (Io)	MAX. LOAD (Io)	LOAD REGULATION	LINE REGULATION	RIPPLE & NOISE
EA1062SAR	65W	5V	0A	3A	$\pm 5\%$	$\pm 1\%$	100mV
		9V	0A	3A	$\pm 5\%$	$\pm 1\%$	180mV
		12V	0A	3A	$\pm 5\%$	$\pm 1\%$	240mV
		15V	0A	3A	$\pm 5\%$	$\pm 1\%$	300mV
		20V	0A	3.25A	$\pm 5\%$	$\pm 1\%$	360mV
EA1062SBR	60W	5V	0A	3A	$\pm 5\%$	$\pm 1\%$	100mV
		9V	0A	3A	$\pm 5\%$	$\pm 1\%$	180mV
		12V	0A	3A	$\pm 5\%$	$\pm 1\%$	240mV
		15V	0A	3A	$\pm 5\%$	$\pm 1\%$	300mV
		20V	0A	3A	$\pm 5\%$	$\pm 1\%$	360mV

NOTE:

- 1 : Ripple & Noise is measured by using 20MHz bandwidth limited oscilloscope and terminated each output with a 0.1uF ceramic capacitor & parallel with 47uF aluminum capacitor at full load and nominal line.
- 2 : Line regulation is defined by changing $\pm 10\%$ of input voltage from nominal line at rated load.
- 3 : Max. Power (W) $\geq V_o \times I_o$

Electrical Specification

INPUT

- Input Range: 100 to 240 VAC
- Frequency: 50 to 60Hz
- Input Current: $\leq 2.5A$
- Inrush Current: 50A/100VAC 100A/230VAC
- Hold Up Time: $\geq 8.3ms$
- Turn On Time: $\leq 3s$

OUTPUT

- Short Circuit Protection: Auto Recovery
- Over Voltage Protection: Auto Recovery
- Over Current Protection: Auto Recovery
- Over Temperature Protection: Optional

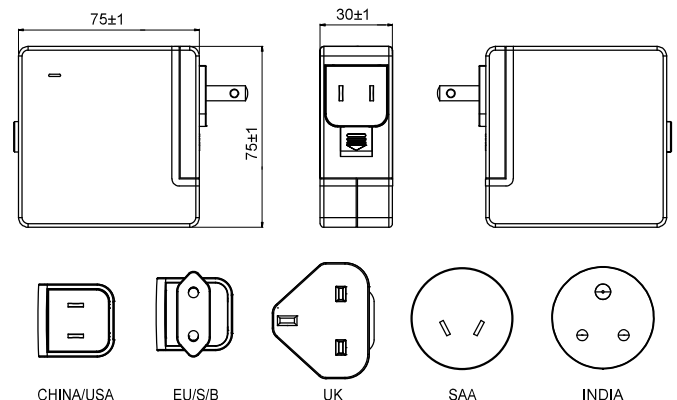
ENVIRONMENT

- Operating Temperature: 0 to 40°C
- Storage Temperature: -20 to 85°C
- Operating Humidity: 10% to 90%
- Storage Humidity: 5% to 95%

SAFETY

- Certified for whole series: UL/cUL 62368-1, TUV EN 62368-1, CB IEC 62368-1, FCC, CE
- Certified for assigned models: CCC, KC

Mechanical Specification



- Case Size: 75 x 75W x 30H (mm)
- AC Plug: U: USA, E: EU, K: UK, A: SAA, C: China
S: South Africa, B: Korea, I: India
- Weight: 250g

AC/DC Desktop Adapter



Features

- 100-240VAC Universal Input
- LED Indicator
- LPS Compliance
- Protections:
 - Short circuit / Over voltage / Over current
 - Over Temperature (optional)
- Energy Efficiency Level VI or CoC Tier II
- No Load Power Consumption
 - Less than 50W: $\leq 0.1W$ (VI), $\leq 0.075W$ (Tier II)
 - More than (includes) 50W: $\leq 0.21W$ (VI), $\leq 0.15W$ (Tier II)
- MTBF > 100,000 hours

EA1068 X Y - vv PP

- X:** AC inlet: 1. C14 2. C8 3. C6 6. C18
- Y:** Output range
- vv:** Specified output voltage, i.e. 12 is 12VDC
- PP:** DC plug type, i.e. Code 01 for 5.5x2.1mm or other options (refer to the appendix page)

MODEL No.	MAX. OUTPUT POWER (W)	OUTPUT VOLTAGE (Vo)	MIN. LOAD (Io)	MAX. LOAD (Io)	LOAD REGULATION	LINE REGULATION	RIPPLE & NOISE
EA1068xA	25W	5V~9V	0A	5.0A	± 5%	± 1%	180mV
EA1068xB	40W	12V~16V	0A	3.33A	± 5%	± 1%	240mV
EA1068xC	40W	18V~24V	0A	2.10A	± 5%	± 1%	360mV
EA1068xD	40W	32V~42V	0A	1.25A	± 5%	± 1%	630mV
EA1068xE	40W	44V~56V	0A	0.90A	± 5%	± 1%	840mV
EA1068xF	30W	5V~9V	0A	6.0A	± 5%	± 1%	180mV
EA1068xG	50W	12V~16V	0A	4.16A	± 5%	± 1%	240mV
EA1068xH	50W	18V~24V	0A	2.63A	± 5%	± 1%	360mV
EA1068xJ	50W	32V~42V	0A	1.56A	± 5%	± 1%	630mV
EA1068xK	50W	44V~56V	0A	1.13A	± 5%	± 1%	840mV
EA1068xW	40W	5V~9V	0A	8.0A	± 5%	± 1%	180mV
EA1068xM	35W	5V~9V	0A	7.0A	± 5%	± 1%	180mV
EA1068xN	60W	12V~16V	0A	5.0A	± 5%	± 1%	240mV
EA1068xP	60W	18V~24V	0A	3.15A	± 5%	± 1%	360mV
EA1068xQ	60W	32V~42V	0A	1.87A	± 5%	± 1%	630mV
EA1068xR	60W	44V~56V	0A	1.36A	± 5%	± 1%	840mV
EA1068xY	65W	12V~16V	0A	5.42A	± 5%	± 1%	240mV
EA1068xS	45W	5V~9V	0A	9.0A	± 5%	± 1%	180mV
EA1068xU	72W	12V~16V	0A	6.0A	± 5%	± 1%	240mV
EA1068xV	72W	18V~24V	0A	3.78A	± 5%	± 1%	360mV
EA1068xL	72W	32V~42V	0A	2.25A	± 5%	± 1%	630mV
EA1068xT	72W	44V~56V	0A	1.63A	± 5%	± 1%	840mV

NOTE:

- 1 : Ripple & Noise is measured by using 20MHz bandwidth limited oscilloscope and terminated each output with a 0.1uF ceramic capacitor & parallel with 47uF aluminum capacitor at full load and nominal line.
- 2 : Line regulation is defined by changing $\pm 10\%$ of input voltage from nominal line at rated load.
- 3 : Max. Power (W) $\geq V_o \times I_o$

Electrical Specification

INPUT

- Input Range: 100 to 240 VAC
- Frequency: 50 to 60Hz
- Input Current: $\leq 2.0A$
- Inrush Current: 80A/100VAC 120A/230VAC
- Hold Up Time: $\geq 8.3ms$
- Turn On Time: $\leq 3s$

OUTPUT

- Short Circuit Protection: Auto Recovery
- Over Voltage Protection: Latch-off / Auto Recovery
- Over Current Protection: Auto Recovery
- Over Temperature Protection: Optional

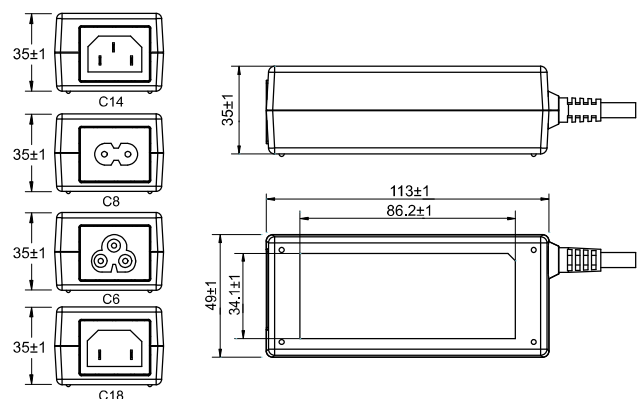
ENVIRONMENT

- Operating Temperature: 0 to 40°C
- Storage Temperature: -20 to 85°C
- Operating Humidity: 10% to 90%
- Storage Humidity: 5% to 95%

SAFETY

- Certified for whole series: UL/cUL 62368-1, TUV EN 62368-1, CB IEC 62368-1, FCC, CE
- Certified for assigned models: CCC, BSMI, PSE, RCM, KC, CU, PSB, NRCAN, Argentina

Mechanical Specification



- Case Size: 113L x 49W x 35H (mm)
- AC Inlet: C14, C8, C6, C18
- Weight: 300g

AC/DC Interchangeable Adapter



Features

- 100-240VAC Universal Input
- LED Indicator
- Active PFC Function
- Protections:
 - Short circuit / Over voltage / Over current
 - Over temperature (optional)
- Energy Efficiency Level VI or CoC Tier II
- No Load Power Consumption $\leq 0.21W$ (VI), $\leq 0.15W$ (Tier II)
- MTBF > 100,000 hours

EA1091S X R - vv PP

- X:** Output range
R: Interchangeable AC plug:
 - U: USA • E: EU • K: UK • A: SAA • C: China
 - S: South Africa • B: Korea • I: India
- vv:** Specified output voltage, i.e. 12 is 12VDC
PP: DC plug type, i.e. Code 01 for 5.5x2.1mm or other options (refer to the appendix page)

MODEL No.	MAX. OUTPUT POWER (W)	OUTPUT VOLTAGE (Vo)	MIN. LOAD (Io)	MAX. LOAD (Io)	LOAD REGULATION	LINE REGULATION	RIPPLE & NOISE
EA1091SAR	80W	12~17V	0A	6.66A	± 5%	± 1%	270mV
EA1091SBR	80W	18~24V	0A	4.44A	± 5%	± 1%	350mV
EA1091SCR	80W	25~32V	0A	3.20A	± 5%	± 1%	450mV
EA1091SDR	80W	33~43V	0A	2.42A	± 5%	± 1%	650mV
EA1091SER	80W	44~56V	0A	1.81A	± 5%	± 1%	750mV
EA1091SFR	90W	12~17V	0A	7.50A	± 5%	± 1%	270mV
EA1091SGR	90W	18~24V	0A	5.00A	± 5%	± 1%	350mV
EA1091SHR	90W	25~32V	0A	3.60A	± 5%	± 1%	450mV
EA1091SJR	90W	33~43V	0A	2.72A	± 5%	± 1%	650mV
EA1091SKR	90W	44~56V	0A	2.04A	± 5%	± 1%	750mV
EA1091SMR	100W	25~32V	0A	3.33A	± 5%	± 1%	450mV
EA1091SNR	100W	33~43V	0A	3.03A	± 5%	± 1%	650mV
EA1091SQR	100W	44~56V	0A	2.27A	± 5%	± 1%	750mV
EA1091SPR	100W	24V	0A	4.16A	± 5%	± 1%	360mV

NOTE:

- 1 : Ripple & Noise is measured by using 20MHz bandwidth limited oscilloscope and terminated each output with a 0.1uF ceramic capacitor & parallel with 47uF aluminum capacitor at full load and nominal line.
- 2 : Line regulation is defined by changing $\pm 10\%$ of input voltage from nominal line at rated load.
- 3 : Max. Power (W) $\geq V_o \times I_o$

Electrical Specification

INPUT

- Input Range: 100 to 240 VAC
- Frequency: 50 to 60Hz
- Input Current: $\leq 2.0A$
- Inrush Current: 80A/100VAC 160A/230VAC
- Hold Up Time: $\geq 8.3ms$
- Turn On Time: $\leq 3s$

OUTPUT

- Short Circuit Protection: Auto Recovery
- Over Voltage Protection: Auto Recovery or Latch-off
- Over Current Protection: Auto Recovery
- Over Temperature Protection: Auto Recovery or Latch-off (optional)

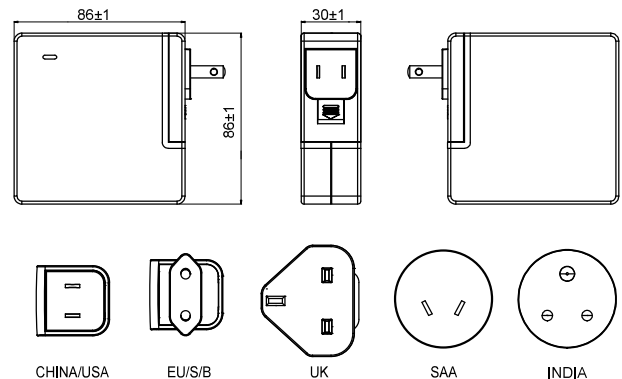
ENVIRONMENT

- Operating Temperature: 0 to 40°C
- Storage Temperature: -20 to 85°C
- Operating Humidity: 10% to 90%
- Storage Humidity: 5% to 95%

SAFETY

- Complied with UL/cUL 62368-1, TUV EN 62368-1, CB IEC 62368-1, FCC, CE

Mechanical Specification



- Case Size: 86L x 86W x 30H (mm)
- AC Plug: U: USA, E: EU, K: UK, A: SAA, C: China
S: South Africa, B: Korea, I: India
- Weight: 400g

AC/DC Desktop Adapter



Features

- 100-240VAC Universal Input
- LED Indicator
- Active PFC Function
- Protections:
 - Short circuit / Over voltage / Over current
 - Over temperature
- Energy Efficiency Level VI or CoC Tier II
- No Load Power Consumption $\leq 0.21W$ (VI) , $\leq 0.15W$ (Tier II)
- MTBF > 100,000 hours

EA1101 X Y - vv PP

- X:** AC inlet: 1. C14 2. C8 3. C6 6. C18
- Y:** Output range
- vv:** Specified output voltage, i.e. 12 is 12VDC
- PP:** DC plug type, i.e. Code 01 for 5.5x2.1mm or other options (refer to the appendix page)

MODEL No.	MAX. OUTPUT POWER (W)	OUTPUT VOLTAGE (Vo)	MIN. LOAD (Io)	MAX. LOAD (Io)	LOAD REGULATION	LINE REGULATION	RIPPLE & NOISE
EA1101xA	80W	12~16V	0	6.66A	± 5%	± 1%	240mV
EA1101xB	90W	12~16V	0	7.5A	± 5%	± 1%	240mV
EA1101xC	90W	19~24V	0	4.73A	± 5%	± 1%	360mV
EA1101xD	100W	12~16V	0	8.33A	± 5%	± 1%	240mV
EA1101xE	100W	19~24V	0	5.26A	± 5%	± 1%	360mV
EA1101xF	110W	12~16V	0	9.16A	± 5%	± 1%	240mV
EA1101xG	110W	19~24V	0	5.78A	± 5%	± 1%	360mV
EA1101xH	120W	12~16V	0	10A	± 5%	± 1%	240mV
EA1101xM	120W	19~24V	0	6.31A	± 5%	± 1%	360mV
EA1101xN	100W	48~56V	0	2.08A	± 5%	± 1%	840mV
EA1101xP	130W	48~56V	0	2.70A	± 5%	± 1%	840mV

NOTE:

- 1 : Ripple & Noise is measured by using 20MHz bandwidth limited oscilloscope and terminated each output with a 0.1uF ceramic capacitor & parallel with 47uF aluminum capacitor at full load and nominal line.
- 2 : Line regulation is defined by changing $\pm 10\%$ of input voltage from nominal line at rated load.
- 3 : Max. Power (W) $\geq V_o \times I_o$

Electrical Specification

INPUT

- Input Range: 100 to 240 VAC
- Frequency: 50 to 60Hz
- Input Current: $\leq 2.0A$
- Inrush Current: 60A/100VAC 120A/230VAC
- Hold Up Time: $\geq 8.3ms$
- Turn On Time: $\leq 3s$

OUTPUT

- Short Circuit Protection: Auto Recovery
- Over Voltage Protection: Latch-off
- Over Current Protection: Auto Recovery
- Over Temperature Protection: Latch-off

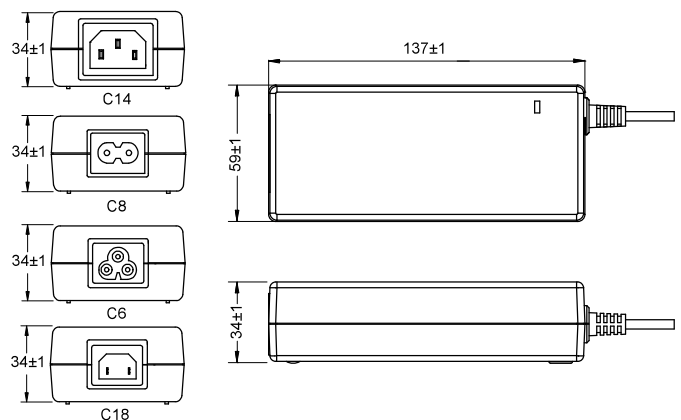
ENVIRONMENT

- Operating Temperature: 0 to 40°C
- Storage Temperature: -20 to 85°C
- Operating Humidity: 10% to 90%
- Storage Humidity: 5% to 95%

SAFETY

- Certified for whole series: UL/cUL 62368-1, TUV EN 62368-1, CB IEC 62368-1, FCC, CE
- Certified for assigned models: CCC, BSMI, PSE, RCM, KC, BIS, CU, PSB, NRCAN, Argentina

Mechanical Specification



- Case Size: 137L x 59W x 34H (mm)
- AC Inlet: C14, C8, C6, C18
- Weight: 450g

USB Type-C Adapter



Features

- USB Power Delivery Function
- 100-240VAC Universal Input
- LED Indicator
- Active PFC Function
- Protections:
 - Short circuit / Over voltage / Over current
 - Over temperature (optional)
- Energy Efficiency Level VI
- No Load Power Consumption ≤ 0.21 W
- MTBF > 50,000 hours

EA1103 X - PP

X: AC inlet: 1. C14 2. C8 3. C6 6. C18

PP: DC plug Code 92 for USB Type-C

MODEL No.	MAX. OUTPUT POWER (W)	OUTPUT VOLTAGE (Vo)	MIN. LOAD (Io)	MAX. LOAD (Io)	LOAD REGULATION	LINE REGULATION	RIPPLE & NOISE
EA1103X	100W	5V	0A	3A	$\pm 5\%$	$\pm 1\%$	100mV
		9V	0A	3A	$\pm 5\%$	$\pm 1\%$	180mV
		12V	0A	3A	$\pm 5\%$	$\pm 1\%$	240mV
		15V	0A	3A	$\pm 5\%$	$\pm 1\%$	300mV
		20V	0A	5A	$\pm 5\%$	$\pm 1\%$	360mV

NOTE:

1 : Ripple & Noise is measured by using 20MHz bandwidth limited oscilloscope and terminated each output with a 0.1uF ceramic capacitor & parallel with 47uF aluminum capacitor at full load and nominal line.

2 : Line regulation is defined by changing $\pm 10\%$ of input voltage from nominal line at rated load.

3 : Max. Power (W) $\geq V_o \times I_o$

Electrical Specification

INPUT

- Input Range: 100 to 240 VAC
- Frequency: 50 to 60Hz
- Input Current: ≤ 2.5 A
- Inrush Current: 60A/100VAC 120A/230VAC
- Hold Up Time: ≥ 8.3 ms
- Turn On Time: ≤ 3 s

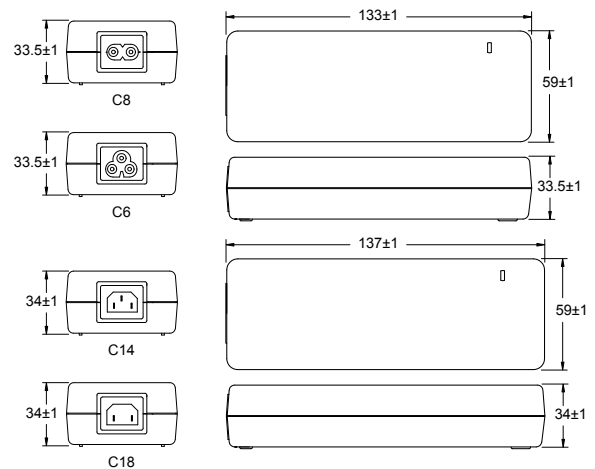
OUTPUT

- Short Circuit Protection: Auto Recovery
- Over Voltage Protection: Auto Recovery
- Over Current Protection: Auto Recovery
- Over Temperature Protection: Latch-off (optional)

ENVIRONMENT

- Operating Temperature: 0 to 40°C
- Storage Temperature: -20 to 85°C
- Operating Humidity: 10% to 90%
- Storage Humidity: 5% to 95%

Mechanical Specification



- Case Size: 133L x 59W x 33.5H (mm) for AC inlet C8, C6
- Case Size: 137L x 59W x 34H (mm) for AC inlet C14, C18
- Weight: 600g

SAFETY

- Complied with UL/cUL 62368-1, TUV EN 62368-1, CB IEC 62368-1, FCC, CE

AC/DC Desktop Adapter



Features

- Slim Size
- 100-240VAC Universal Input
- Active PFC Function
- Protections:
 - Short circuit / Over voltage / Over current
 - Over temperature
- Energy Efficiency Level VI or CoC Tier II
- No Load Power Consumption $\leq 0.21W$ (VI), $\leq 0.15W$ (Tier II)
- MTBF > 50,000 hours

EA1181 X Y - v v PP

- X:** AC inlet: 1. C14 2. C8 3. C6 6. C18
- Y:** Output range
- vv:** Specified output voltage, i.e. 12 is 12VDC
- PP:** DC plug type, i.e. Code 01 for 5.5x2.1mm or other options (refer to the appendix page)

MODEL No.	MAX. OUTPUT POWER (W)	OUTPUT VOLTAGE (Vo)	MIN. LOAD (Io)	MAX. LOAD (Io)	LOAD REGULATION	LINE REGULATION	RIPPLE & NOISE
EA1181xA	150W	12~18V	0A	12.5A	$\pm 5\%$	$\pm 1\%$	240mV
EA1181xB	160W	12~18V	0A	13.33A	$\pm 5\%$	$\pm 1\%$	240mV
EA1181xC	170W	12~18V	0A	14.16A	$\pm 5\%$	$\pm 1\%$	240mV
EA1181xD	180W	19~24V	0A	9.47A	$\pm 5\%$	$\pm 1\%$	360mV
EA1181xE	180W	32~42V	0A	5.62A	$\pm 5\%$	$\pm 1\%$	630mV
EA1181xF	180W	44~56V	0A	4.09A	$\pm 5\%$	$\pm 1\%$	840mV
EA1181xG	190W	19~24V	0A	10A	$\pm 5\%$	$\pm 1\%$	360mV
EA1181xH	190W	32~42V	0A	5.93A	$\pm 5\%$	$\pm 1\%$	630mV
EA1181xJ	190W	44~56V	0A	4.31A	$\pm 5\%$	$\pm 1\%$	840mV
EA1181xK	200W	19~24V	0A	10.52A	$\pm 5\%$	$\pm 1\%$	360mV
EA1181xL	200W	32~42V	0A	6.25A	$\pm 5\%$	$\pm 1\%$	630mV
EA1181xM	200W	44~56V	0A	4.54A	$\pm 5\%$	$\pm 1\%$	840mV

NOTE:

- 1 : Ripple & Noise is measured by using 20MHz bandwidth limited oscilloscope and terminated each output with a 0.1uF ceramic capacitor & parallel with 47uF aluminum capacitor at full load and nominal line.
- 2 : Line regulation is defined by changing $\pm 10\%$ of input voltage from nominal line at rated load.
- 3 : Max. Power (W) $\geq V_o \times I_o$

Electrical Specification

INPUT

- Input Range: 100 to 240 VAC
- Frequency: 50 to 60Hz
- Input Current: $\leq 2.5A$
- Inrush Current: 60A/100VAC 120A/230VAC
- Hold Up Time: $\geq 8.3ms$
- Turn On Time: $\leq 3s$

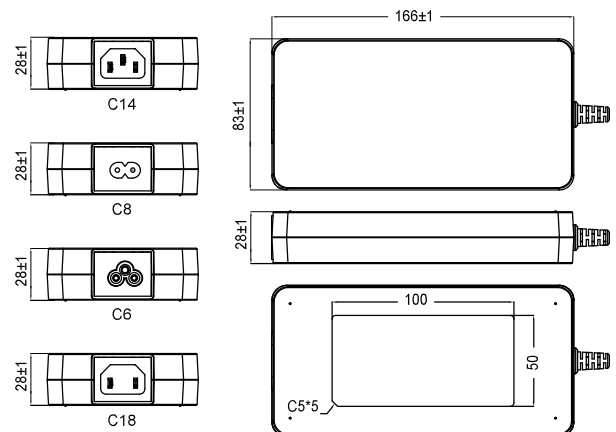
OUTPUT

- Short Circuit Protection: Latch-off
- Over Voltage Protection: Latch-off
- Over Current Protection: Latch-off
- Over Temperature Protection: Latch-off

ENVIRONMENT

- Operating Temperature: 0 to 40°C
- Storage Temperature: -20 to 85°C
- Operating Humidity: 10% to 90%
- Storage Humidity: 5% to 95%

Mechanical Specification



- Case Size: 166L x 83W x 28H (mm)
- AC Inlet: C14, C8, C6, C18
- Weight: 450g

SAFETY

- Certified for whole series: UL/cUL 62368-1, TUV EN 62368-1, CB IEC 62368-1, FCC, CE

AC/DC Desktop Adapter



Features

- Slim Size
- 100-240VAC Universal Input
- Protections:
Short circuit / Over voltage / Over current
Over temperature
- Energy Efficiency Level VI
- No Load Power Consumption ≤ 0.5 W
- MTBF > 100,000 hours

EA1330 X Y - vv PP

- X:** AC inlet: 1. C14 3. C6
Y: Output range
vv: Specified output voltage, i.e. 12 is 12VDC
PP: DC plug type, i.e. Code 01 for 5.5x2.1mm or other options (refer to the appendix page)

MODEL No.	MAX. OUTPUT POWER (W)	OUTPUT VOLTAGE (Vo)	MIN. LOAD (Io)	MAX. LOAD (Io)	LOAD REGULATION	LINE REGULATION	RIPPLE & NOISE
EA1330xA	300W	12V	0A	25A	$\pm 5\%$	$\pm 1\%$	240mV
EA1330xB	330W	19~24V	0A	17.36A	$\pm 5\%$	$\pm 1\%$	480mV
EA1330xC	330W	36V~48V	0A	9.16A	$\pm 5\%$	$\pm 1\%$	720mV
EA1330xD	330W	56V	0A	5.89A	$\pm 5\%$	$\pm 1\%$	840mV

NOTE:

- 1 : Ripple & Noise is measured by using 20MHz bandwidth limited oscilloscope and terminated each output with a 0.1uF ceramic capacitor & parallel with 47uF aluminum capacitor at full load and nominal line.
- 2 : Line regulation is defined by changing $\pm 10\%$ of input voltage from nominal line at rated load.
- 3 : Max. Power (W) $\geq V_o \times I_o$

Electrical Specification

INPUT

- Input Range: 100 to 240 VAC
- Frequency: 50 to 60Hz
- Input Current: ≤ 5.0 A
- Inrush Current: 60A/100VAC 120A/230VAC
- Hold Up Time: ≥ 8.3 ms
- Turn On Time: ≤ 3 s

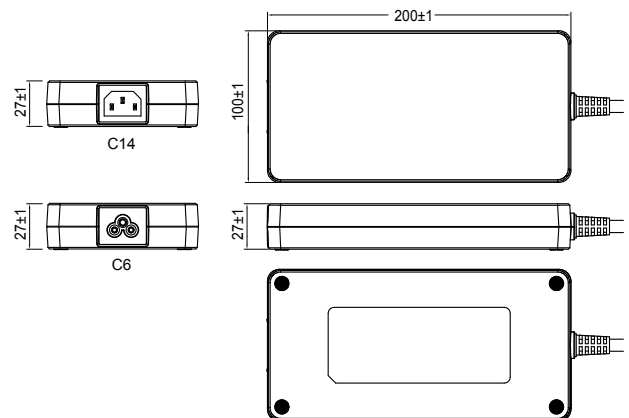
OUTPUT

- Short Circuit Protection: Latch-off
- Over Voltage Protection: Latch-off
- Over Current Protection: Latch-off
- Over Temperature Protection: Latch-off

ENVIRONMENT

- Operating Temperature: 0 to 40°C
- Storage Temperature: -20 to 85°C
- Operating Humidity: 10% to 90%
- Storage Humidity: 5% to 95%

Mechanical Specification



- Case Size: 200L x 100W x 27H (mm)
- AC Inlet: C14, C6
- Weight: 1200g

SAFETY

- Complied with UL/cUL 62368-1, TUV EN 62368-1, CB IEC 62368-1, FCC, CE

Medical AC/DC Wall Mount Adapter

Vertical (USB & SR Type)



Horizontal (USB & SR Type)



Features

- 100-240VAC Universal Input
- 2 x MOPP Compliance, IEC/EN60601-1 Approval
- Protections:
 - Short circuit / Over voltage / Over current
- Energy Efficiency Level VI
- No Load Power Consumption $\leq 0.1W$
- MTBF > 100,000 hours

EM1005 X Y Z T - vv PP

- X:** Output range
- Y:** Case type: (V)Vertical or (H)Horizontal
- Z:** AC plug type: • U: USA • E: EU • K: UK
- T:** Output type: U (USB) or S (SR)
- vv:** Specified output voltage, i.e. 12 is 12VDC
- PP:** DC plug type, i.e. Code 01 for 5.5x2.1mm or other options (refer to the appendix page)

MODEL No.	MAX. OUTPUT POWER (W)	OUTPUT VOLTAGE (Vo)	MIN. LOAD (Io)	MAX. LOAD (Io)	LOAD REGULATION	LINE REGULATION	RIPPLE & NOISE
EM1005A	6W	5~8V	0A	1.2A	$\pm 5\%$	$\pm 1\%$	100mV
EM1005B	6W	9~12V	0A	0.66A	$\pm 5\%$	$\pm 1\%$	180mV
EM1005C	4.5W	9V	0A	0.5A	$\pm 5\%$	$\pm 1\%$	180mV
EM1005D	6W	9V	0A	0.67A	$\pm 5\%$	$\pm 1\%$	180mV

NOTE:

- 1 : Ripple & Noise is measured by using 20MHz bandwidth limited oscilloscope and terminated each output with a 0.1uF ceramic capacitor & parallel with 47uF aluminum capacitor at full load and nominal line.
- 2 : Line regulation is defined by changing $\pm 10\%$ of input voltage from nominal line at rated load.
- 3 : Max. Power (W) $\geq V_o \times I_o$

Electrical Specification

INPUT

- Input Range: 100 to 240 VAC
- Frequency: 50 to 60Hz
- Input Current: $\leq 0.6A$
- Inrush Current: 30A/100VAC 60A/230VAC
- Hold Up Time: $\geq 8.3ms$
- Turn On Time: $\leq 3s$

OUTPUT

- Short Circuit Protection: Auto Recovery
- Over Voltage Protection: Auto Recovery
- Over Current Protection: Auto Recovery

ENVIRONMENT

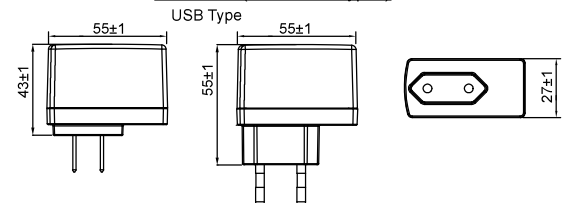
- Operating Temperature: 0 to 40°C
- Storage Temperature: -20 to 85°C
- Operating Humidity: 10% to 90%
- Storage Humidity: 5% to 95%

SAFETY

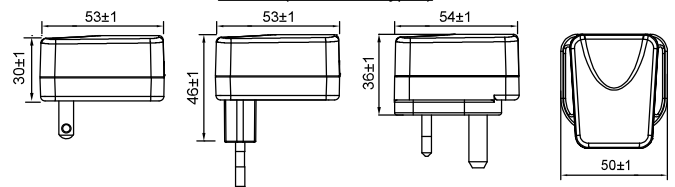
- Certified for whole series: UL/cUL 60601-1, TUV EN 60601-1, CB IEC 60601-1, FCC, CE
- Certified for assigned models: BSMI, PSE

Mechanical Specification

Horizontal (USB & SR Types)



Vertical (USB & SR Types)



- Case Size: Horizontal: USB: 55L x 27W x 55H (mm)
SR: 55L x 25W x 55H (mm)
Vertical: USA, EU: 53L x 41W x 46H (mm)
UK: 54L x 50W x 36H (mm)
- AC Plug: U: USA, E: EU, K: UK
- Weight: 70g

Medical AC/DC Interchangeable Adapter

Features

- 100-240VAC Universal Input
- 2 x MOPP Compliance, IEC/EN60601-1 Approval
- Protections:
 - Short circuit / Over voltage / Over current
- Energy Efficiency Level VI
- No Load Power Consumption $\leq 0.1W$
- MTBF > 100,000 hours



EM1005 X Y R T - vv PP

- X:** Output range
Y: Case type: (V)Vertical
R: Interchangeable AC plug:
 - U: USA • E: EU • K: UK • A: SAA • C: China
 - S: South Africa • B: Korea • I: India
- T:** Output type: U (USB) or S (SR)
vv: Specified output voltage, i.e. 12 is 12VDC
PP: DC plug type, i.e. Code 01 for 5.5x2.1mm or other options (refer to the appendix page)

MODEL No.	MAX. OUTPUT POWER (W)	OUTPUT VOLTAGE (Vo)	MIN. LOAD (Io)	MAX. LOAD (Io)	LOAD REGULATION	LINE REGULATION	RIPPLE & NOISE
EM1005A	6	5~8V	0A	1.2A	$\pm 5\%$	$\pm 1\%$	100mV
EM1005B	6	9~12V	0A	0.66A	$\pm 5\%$	$\pm 1\%$	180mV
EM1005C	4.5W	9V	0A	0.5A	$\pm 5\%$	$\pm 1\%$	180mV
EM1005D	6W	9V	0A	0.67A	$\pm 5\%$	$\pm 1\%$	180mV

NOTE:

- 1 : Ripple & Noise is measured by using 20MHz bandwidth limited oscilloscope and terminated each output with a 0.1uF ceramic capacitor & parallel with 47uF aluminum capacitor at full load and nominal line.
- 2 : Line regulation is defined by changing $\pm 10\%$ of input voltage from nominal line at rated load.
- 3 : Max. Power (W) $\geq V_o \times I_o$

Electrical Specification

INPUT

- Input Range: 100 to 240 VAC
- Frequency: 50 to 60Hz
- Input Current: $\leq 0.6A$
- Inrush Current: 30A/100VAC 60A/230VAC
- Hold Up Time: $\geq 8.3ms$
- Turn On Time: $\leq 3s$

OUTPUT

- Short Circuit Protection: Auto Recovery
- Over Voltage Protection: Auto Recovery
- Over Current Protection: Auto Recovery

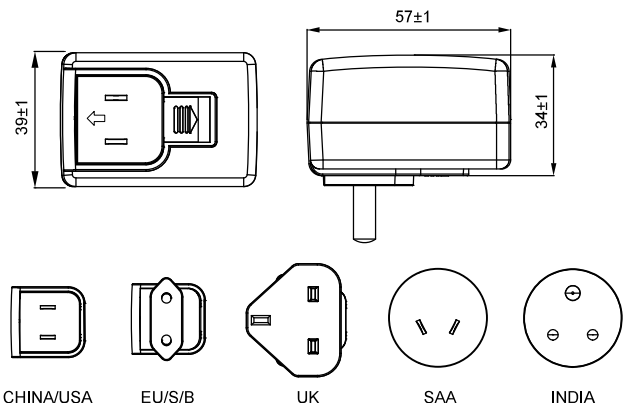
ENVIRONMENT

- Operating Temperature: 0 to 40°C
- Storage Temperature: -20 to 85°C
- Operating Humidity: 10% to 90%
- Storage Humidity: 5% to 95%

SAFETY

- Certified for whole series: UL/cUL 60601-1, TUV EN 60601-1, CB IEC 60601-1, FCC, CE
- Certified for assigned models: BSMI, PSE

Mechanical Specification



- Case Size: 57L x 39W x 34H (mm)
- AC Plug: U: USA, E: EU, K: UK, A: SAA, C: China
S: South Africa, B: Korea, I: India
- Weight: 70g

Medical AC/DC Desktop Adapter



Features

- 100-240VAC Universal Input
- LED Indicator (optional)
- 2 x MOPP Compliance, IEC/EN60601-1 Approval
- LPS Compliance
- Protections:
 - Short circuit / Over voltage / Over current
 - Energy Efficiency Level VI
 - No Load Power Consumption $\leq 0.1W$
- MTBF > 100,000 hours

EM1024 X Y - vv PP

- X:** Output range
- Y:** AC inlet: 1. C14 2. C8 3. C6 6. C18
- vv:** Specified output voltage, i.e. 12 is 12VDC
- PP:** DC plug type, i.e. Code 01 for 5.5x2.1mm or other options (refer to the appendix page)

MODEL No.	MAX. OUTPUT POWER (W)	OUTPUT VOLTAGE (Vo)	MIN. LOAD (Io)	MAX. LOAD (Io)	LOAD REGULATION	LINE REGULATION	RIPPLE & NOISE
EM1024AY	16W	5~8V	0A	2.0A	$\pm 5\%$	$\pm 1\%$	100mV
EM1024BY	20W	5~8V	0A	3.0A	$\pm 5\%$	$\pm 1\%$	100mV
EM1024CY	24W	5~8V	0A	4.0A	$\pm 5\%$	$\pm 1\%$	100mV
EM1024DY	18W	9~11V	0A	1.5A	$\pm 5\%$	$\pm 1\%$	250mV
EM1024EY	24W	9~11V	0A	2.0A	$\pm 5\%$	$\pm 1\%$	250mV
EM1024FY	27W	9~11V	0A	3.0A	$\pm 5\%$	$\pm 1\%$	250mV
EM1024GY	20W	12~17V	0A	1.66A	$\pm 5\%$	$\pm 1\%$	250mV
EM1024HY	30W	12~17V	0A	2.5A	$\pm 5\%$	$\pm 1\%$	250mV
EM1024JY	24W	18~24V	0A	1.33A	$\pm 5\%$	$\pm 1\%$	350mV
EM1024KY	30W	18~24V	0A	1.66A	$\pm 5\%$	$\pm 1\%$	350mV
EM1024MY	20W	36~48V	0A	0.55A	$\pm 5\%$	$\pm 1\%$	480mV
EM1024NY	30W	36~48V	0A	0.83A	$\pm 5\%$	$\pm 1\%$	480mV
EM1024PY	36W	12V	0A	3.0A	$\pm 5\%$	$\pm 1\%$	250mV
EM1024QY	24W	12V	0A	2.0A	$\pm 5\%$	$\pm 1\%$	250mV
EM1024RY	36W	24V	0A	1.5A	$\pm 5\%$	$\pm 1\%$	350mV

NOTE:

- 1 : Ripple & Noise is measured by using 20MHz bandwidth limited oscilloscope and terminated each output with a 0.1uF ceramic capacitor & parallel with 47uF aluminum capacitor at full load and nominal line.
- 2 : Line regulation is defined by changing $\pm 10\%$ of input voltage from nominal line at rated load.
- 3 : Max. Power (W) $\geq V_o \times I_o$

Electrical Specification

INPUT

- Input Range: 100 to 240 VAC
- Frequency: 50 to 60Hz
- Input Current: $\leq 1.0A$
- Inrush Current: 30A/100VAC 60A/230VAC
- Hold Up Time: $\geq 8.3ms$
- Turn On Time: $\leq 3s$

OUTPUT

- Short Circuit Protection: Auto Recovery
- Over Voltage Protection: Latch-off
- Over Current Protection: Auto Recovery

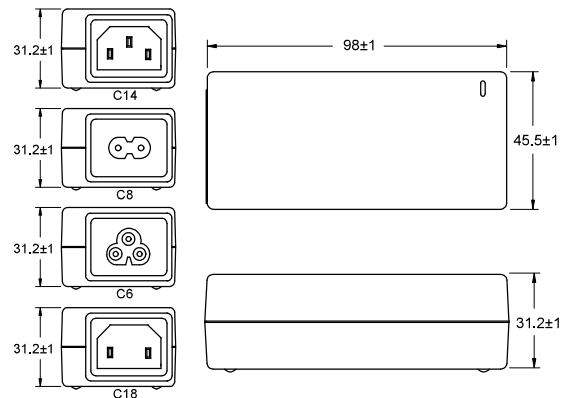
ENVIRONMENT

- Operating Temperature: 0 to 40°C
- Storage Temperature: -20 to 85°C
- Operating Humidity: 10% to 90%
- Storage Humidity: 5% to 95%

SAFETY

- Certified for whole series: UL/cUL 60601-1, TUV EN 60601-1, CB IEC 60601-1, FCC, CE
- Certified for assigned models: CCC, NRCAN

Mechanical Specification



- Case Size: 98L x 45.5W x 31.2H (mm)
- AC Inlet: C14, C8, C6, C18
- Weight: 200g

Medical AC/DC Wall Mount Adapter



Features

- 100-240VAC Universal Input
- 2 x MOPP Compliance, IEC/EN60601-1 Approval
- LPS Compliance
- Protections:
 - Short circuit / Over voltage / Over current
- Energy Efficiency Level VI
- No Load Power Consumption $\leq 0.1W$
- MTBF > 100,000 hours

EM1024 X Y - vv PP

- X:** Output range
Y: AC plug: • U: USA • E: EU • K: UK • A: SAA
vv: Specified output voltage, i.e. 12 is 12VDC
PP: DC plug type, i.e. Code 01 for 5.5x2.1mm or other options (refer to the appendix page)

MODEL No.	MAX. OUTPUT POWER (W)	OUTPUT VOLTAGE (Vo)	MIN. LOAD (Io)	MAX. LOAD (Io)	LOAD REGULATION	LINE REGULATION	RIPPLE & NOISE
EM1024AY	16W	5~8V	0A	2.0A	$\pm 5\%$	$\pm 1\%$	100mV
EM1024BY	20W	5~8V	0A	3.0A	$\pm 5\%$	$\pm 1\%$	100mV
EM1024CY	24W	5~8V	0A	4.0A	$\pm 5\%$	$\pm 1\%$	100mV
EM1024DY	18W	9~11V	0A	1.5A	$\pm 5\%$	$\pm 1\%$	250mV
EM1024EY	24W	9~11V	0A	2.0A	$\pm 5\%$	$\pm 1\%$	250mV
EM1024FY	27W	9~11V	0A	3.0A	$\pm 5\%$	$\pm 1\%$	250mV
EM1024GY	20W	12~17V	0A	1.66A	$\pm 5\%$	$\pm 1\%$	250mV
EM1024HY	30W	12~17V	0A	2.5A	$\pm 5\%$	$\pm 1\%$	250mV
EM1024JY	24W	18~24V	0A	1.33A	$\pm 5\%$	$\pm 1\%$	350mV
EM1024KY	30W	18~24V	0A	1.66A	$\pm 5\%$	$\pm 1\%$	350mV
EM1024MY	20W	36~48V	0A	0.55A	$\pm 5\%$	$\pm 1\%$	480mV
EM1024NY	30W	36~48V	0A	0.83A	$\pm 5\%$	$\pm 1\%$	480mV
EM1024PY	36W	12V	0A	3.0A	$\pm 5\%$	$\pm 1\%$	250mV
EM1024QY	24W	12V	0A	2.0A	$\pm 5\%$	$\pm 1\%$	250mV
EM1024RY	36W	24V	0A	1.5A	$\pm 5\%$	$\pm 1\%$	350mV

NOTE:

- 1 : Ripple & Noise is measured by using 20MHz bandwidth limited oscilloscope and terminated each output with a 0.1uF ceramic capacitor & parallel with 47uF aluminum capacitor at full load and nominal line.
- 2 : Line regulation is defined by changing $\pm 10\%$ of input voltage from nominal line at rated load.
- 3 : Max. Power (W) $\geq V_o \times I_o$

Electrical Specification

INPUT

- Input Range: 100 to 240 VAC
- Frequency: 50 to 60Hz
- Input Current: $\leq 1.0A$
- Inrush Current: 30A/100VAC 60A/230VAC
- Hold Up Time: $\geq 8.3ms$
- Turn On Time: $\leq 3s$

OUTPUT

- Short Circuit Protection: Auto Recovery
- Over Voltage Protection: Latch-off
- Over Current Protection: Auto Recovery

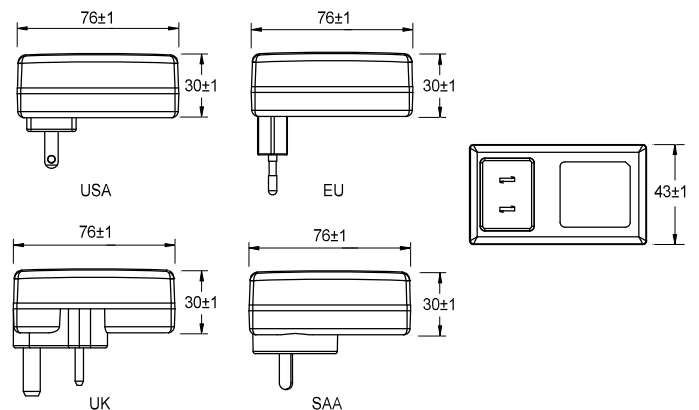
ENVIRONMENT

- Operating Temperature: 0 to 40°C
- Storage Temperature: -20 to 85°C
- Operating Humidity: 10% to 90%
- Storage Humidity: 5% to 95%

SAFETY

- Certified for whole series: UL/cUL 60601-1, TUV EN 60601-1, CB IEC 60601-1, FCC, CE
- Certified for assigned models: PSE, RCM, NRCAN

Mechanical Specification



- Case Size: 76L x 43W x 30H (mm)
- AC Plug: U: USA, E: EU, K: UK, A: SAA
- Weight: 200g

Medical AC/DC Interchangeable Adapter



Features

- 100-240VAC Universal Input
- LPS Compliance
- Protections:
 - Short circuit / Over voltage / Over current
- Energy Efficiency Level VI
- No Load Power Consumption $\leq 0.1W$
- MTBF > 100,000 hours

EM1024 X R - vv PP

- X:** Output range
R: Interchangeable AC plug:
 - U: USA • E: EU • K: UK • A: SAA • C: China
 - S: South Africa • B: Korea • I: India
- vv:** Specified output voltage, i.e. 12 is 12VDC
PP: DC plug type, i.e. Code 01 for 5.5x2.1mm or other options (refer to the appendix page)

MODEL No.	MAX. OUTPUT POWER (W)	OUTPUT VOLTAGE (Vo)	MIN. LOAD (Io)	MAX. LOAD (Io)	LOAD REGULATION	LINE REGULATION	RIPPLE & NOISE
EM1024AR	16W	5~8V	0A	2.0A	$\pm 5\%$	$\pm 1\%$	100mV
EM1024BR	20W	5~8V	0A	3.0A	$\pm 5\%$	$\pm 1\%$	100mV
EM1024CR	24W	5~8V	0A	4.0A	$\pm 5\%$	$\pm 1\%$	100mV
EM1024DR	18W	9~11V	0A	1.5A	$\pm 5\%$	$\pm 1\%$	250mV
EM1024ER	24W	9~11V	0A	2.0A	$\pm 5\%$	$\pm 1\%$	250mV
EM1024FR	27W	9~11V	0A	3.0A	$\pm 5\%$	$\pm 1\%$	250mV
EM1024GR	20W	12~17V	0A	1.66A	$\pm 5\%$	$\pm 1\%$	250mV
EM1024HR	30W	12~17V	0A	2.5A	$\pm 5\%$	$\pm 1\%$	250mV
EM1024JR	24W	18~24V	0A	1.33A	$\pm 5\%$	$\pm 1\%$	350mV
EM1024KR	30W	18~24V	0A	1.66A	$\pm 5\%$	$\pm 1\%$	350mV
EM1024MR	20W	36~48V	0A	0.55A	$\pm 5\%$	$\pm 1\%$	480mV
EM1024NR	30W	36~48V	0A	0.83A	$\pm 5\%$	$\pm 1\%$	480mV
EM1024PR	36W	12V	0A	3.0A	$\pm 5\%$	$\pm 1\%$	250mV
EM1024QR	24W	12V	0A	2.0A	$\pm 5\%$	$\pm 1\%$	250mV
EM1024RR	36W	24V	0A	1.5A	$\pm 5\%$	$\pm 1\%$	350mV

NOTE:

- 1 : Ripple & Noise is measured by using 20MHz bandwidth limited oscilloscope and terminated each output with a 0.1uF ceramic capacitor & parallel with 47uF aluminum capacitor at full load and nominal line.
- 2 : Line regulation is defined by changing $\pm 10\%$ of input voltage from nominal line at rated load.
- 3 : Max. Power (W) $\geq V_o \times I_o$

Electrical Specification

INPUT

- Input Range: 100 to 240 VAC
- Frequency: 50 to 60Hz
- Input Current: $\leq 1.0A$
- Inrush Current: 30A/100VAC 60A/230VAC
- Hold Up Time: $\geq 8.3ms$
- Turn On Time: $\leq 3s$

OUTPUT

- Short Circuit Protection: Auto Recovery
- Over Voltage Protection: Latch-off
- Over Current Protection: Auto Recovery

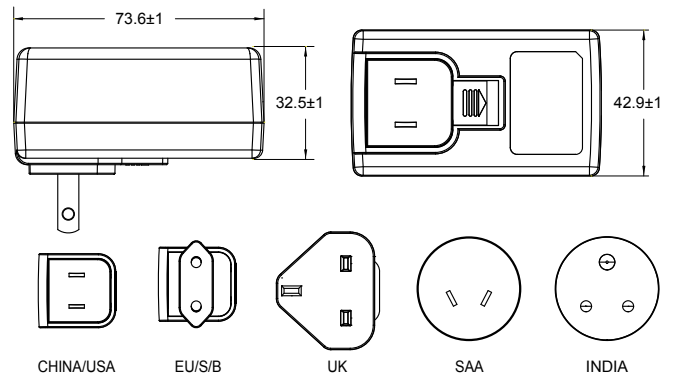
ENVIRONMENT

- Operating Temperature: 0 to 40°C
- Storage Temperature: -20 to 85°C
- Operating Humidity: 10% to 90%
- Storage Humidity: 5% to 95%

SAFETY

- Certified for whole series: UL/cUL 60601-1, TUV EN 60601-1, CB IEC 60601-1, FCC, CE
- Certified for assigned models: PSE, RCM, NRCAN

Mechanical Specification



- Case Size: 73.6L x 42.9W x 32.5H (mm)
- AC Plug: U: USA, E: EU, K: UK, A: SAA, C: China
S: South Africa, B: Korea, I: India
- Weight: 200g

Medical AC/DC Desktop Adapter



Features

- 100-240VAC Universal Input
- LED Indicator
- 2 x MOPP Compliance, IEC/EN60601-1 Approval
- LPS Compliance
- Protections:
 - Short circuit / Over voltage / Over current
 - Over Temperature (optional)
- Energy Efficiency Level VI
 - Less than 50W: $\leq 0.1W$
 - More than (includes) 50W: $\leq 0.21W$
- MTBF > 100,000 hours

EM1068 X Y - vv PP

- X:** AC inlet: 1. C14 2. C8 3. C6 6. C18
Y: Output range
vv: Specified output voltage, i.e. 12 is 12VDC
PP: DC plug type, i.e. Code 01 for 5.5x2.1mm or other options (refer to the appendix page)

MODEL No.	MAX. OUTPUT POWER (W)	OUTPUT VOLTAGE (Vo)	MIN. LOAD (Io)	MAX. LOAD (Io)	LOAD REGULATION	LINE REGULATION	RIPPLE & NOISE
EM1068xA	25W	5V~9V	0A	5.0A	± 5%	± 1%	180mV
EM1068xB	40W	12V~16V	0A	3.33A	± 5%	± 1%	240mV
EM1068xC	40W	18V~24V	0A	2.10A	± 5%	± 1%	360mV
EM1068xD	40W	32V~42V	0A	1.25A	± 5%	± 1%	630mV
EM1068xE	40W	44V~56V	0A	0.90A	± 5%	± 1%	840mV
EM1068xF	30W	5V~9V	0A	6.0A	± 5%	± 1%	180mV
EM1068xG	50W	12V~16V	0A	4.16A	± 5%	± 1%	240mV
EM1068xH	50W	18V~24V	0A	2.63A	± 5%	± 1%	360mV
EM1068xJ	50W	32V~42V	0A	1.56A	± 5%	± 1%	630mV
EM1068xK	50W	44V~56V	0A	1.13A	± 5%	± 1%	840mV
EM1068xW	40W	5V~9V	0A	8.0A	± 5%	± 1%	180mV
EM1068xM	35W	5V~9V	0A	7.0A	± 5%	± 1%	180mV
EM1068xN	60W	12V~16V	0A	5.0A	± 5%	± 1%	240mV
EM1068xP	60W	18V~24V	0A	3.15A	± 5%	± 1%	360mV
EM1068xQ	60W	32V~42V	0A	1.87A	± 5%	± 1%	630mV
EM1068xR	60W	44V~56V	0A	1.36A	± 5%	± 1%	840mV
EM1068xY	65W	12V~16V	0A	5.42A	± 5%	± 1%	240mV
EM1068xS	45W	5V~9V	0A	9.0A	± 5%	± 1%	180mV
EM1068xU	72W	12V~16V	0A	6.0A	± 5%	± 1%	240mV
EM1068xV	72W	18V~24V	0A	3.78A	± 5%	± 1%	360mV
EM1068xL	72W	32V~42V	0A	2.25A	± 5%	± 1%	630mV
EM1068xT	72W	44V~56V	0A	1.63A	± 5%	± 1%	840mV

NOTE:

- 1 : Ripple & Noise is measured by using 20MHz bandwidth limited oscilloscope and terminated each output with a 0.1uF ceramic capacitor & parallel with 47uF aluminum capacitor at full load and nominal line.
- 2 : Line regulation is defined by changing $\pm 10\%$ of input voltage from nominal line at rated load.
- 3 : Max. Power (W) $\geq V_o \times I_o$

Electrical Specification

INPUT

- Input Range: 100 to 240 VAC
- Frequency: 50 to 60Hz
- Input Current: $\leq 2.0A$
- Inrush Current: 80A/100VAC 120A/230VAC
- Hold Up Time: $\geq 8.3ms$
- Turn On Time: $\leq 3s$

OUTPUT

- Short Circuit Protection: Auto Recovery
- Over Voltage Protection: Latch-off / Auto Recovery
- Over Current Protection: Auto Recovery
- Over Temperature Protection: Optional

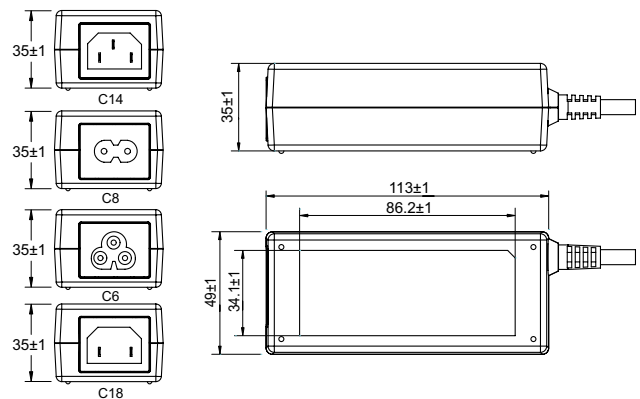
ENVIRONMENT

- Operating Temperature: 0 to 40°C
- Storage Temperature: -20 to 85°C
- Operating Humidity: 10% to 90%
- Storage Humidity: 5% to 95%

SAFETY

- Certified for whole series: UL/cUL 60601-1, TUV EN 60601-1, CB IEC 60601-1, FCC, CE
- Certified for assigned models: KC, NRCAN

Mechanical Specification



- Case Size: 113L x 49W x 35H (mm)
- AC Inlet: C14, C8, C6, C18
- Weight: 300g

Medical AC/DC Desktop Adapter



Features

- 100-240VAC Universal Input
- LED Indicator
- 2 x MOPP Compliance, IEC/EN60601-1 Approval
- Active PFC Function
- Protections:
 - Short circuit / Over voltage / Over current
 - Over Temperature
- Energy Efficiency Level VI
- No Load Power Consumption $\leq 0.21W$
- MTBF > 100,000 hours

EM1101 X Y - vv PP

- X:** AC inlet: 1. C14 2. C8 3. C6 6. C18
Y: Output range
vv: Specified output voltage, i.e. 12 is 12VDC
PP: DC plug type, i.e. Code 01 for 5.5x2.1mm or other options (refer to the appendix page)

MODEL No.	MAX. OUTPUT POWER (W)	OUTPUT VOLTAGE (Vo)	MIN. LOAD (Io)	MAX. LOAD (Io)	LOAD REGULATION	LINE REGULATION	RIPPLE & NOISE
EM1101xA	80W	12~16V	0A	6.66A	$\pm 5\%$	$\pm 1\%$	240mV
EM1101xB	90W	12~16V	0A	7.5A	$\pm 5\%$	$\pm 1\%$	240mV
EM1101xC	90W	19~24V	0A	4.73A	$\pm 5\%$	$\pm 1\%$	360mV
EM1101xD	100W	12~16V	0A	8.33A	$\pm 5\%$	$\pm 1\%$	240mV
EM1101xE	100W	19~24V	0A	5.26A	$\pm 5\%$	$\pm 1\%$	360mV
EM1101xF	110W	12~16V	0A	9.16A	$\pm 5\%$	$\pm 1\%$	240mV
EM1101xG	110W	19~24V	0A	5.78A	$\pm 5\%$	$\pm 1\%$	360mV
EM1101xH	120W	12~16V	0A	10A	$\pm 5\%$	$\pm 1\%$	240mV
EM1101xM	120W	19~24V	0A	6.31A	$\pm 5\%$	$\pm 1\%$	360mV
EM1101xN	100W	48~56V	0A	2.08A	$\pm 5\%$	$\pm 1\%$	840mV
EM1101xP	130W	48~56V	0A	2.70A	$\pm 5\%$	$\pm 1\%$	840mV

NOTE:

- 1 : Ripple & Noise is measured by using 20MHz bandwidth limited oscilloscope and terminated each output with a 0.1uF ceramic capacitor & parallel with 47uF aluminum capacitor at full load and nominal line.
- 2 : Line regulation is defined by changing $\pm 10\%$ of input voltage from nominal line at rated load.
- 3 : Max. Power (W) $\geq V_o \times I_o$

Electrical Specification

INPUT

- Input Range: 100 to 240 VAC
- Frequency: 50 to 60Hz
- Input Current: $\leq 2.0A$
- Inrush Current: 60A/100VAC 120A/230VAC
- Hold Up Time: $\geq 8.3ms$
- Turn On Time: $\leq 3s$

OUTPUT

- Short Circuit Protection: Auto Recovery
- Over Voltage Protection: Latch-off
- Over Current Protection: Auto Recovery
- Over Temperature Protection: Latch-off

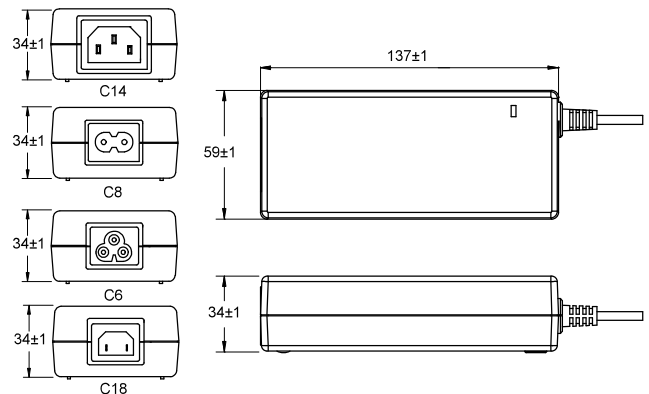
ENVIRONMENT

- Operating Temperature: 0 to 40°C
- Storage Temperature: -20 to 85°C
- Operating Humidity: 10% to 90%
- Storage Humidity: 5% to 95%

SAFETY

- Certified for whole series: UL/cUL 60601-1, TUV EN 60601-1, CB IEC 60601-1, FCC, CE
- Certified for assigned models: CCC, PSE, RCM, NRCAN

Mechanical Specification



- Case Size: 137L x 59W x 34H (mm)
- AC Inlet: C14, C8, C6, C18
- Weight: 450g

Medical AC/DC Desktop Adapter



Features

- 100-240VAC Universal Input
- LED Indicator
- 2 x MOPP Compliance, IEC/EN60601-1 Approval
- Active PFC Function
- Protections:
 - Short circuit / Over voltage / Over current
 - Over temperature
- Energy Efficiency Level VI
- No Load Power Consumption ≤ 0.21 W
- MTBF > 50,000 hours

EM1300 X Y - vv PP

- X:** AC inlet: 1. C14 2. C8 3. C6 6. C18
Y: Output range
vv: Specified output voltage, i.e. 12 is 12VDC
PP: DC plug type, i.e. Code 01 for 5.5x2.1mm or other options (refer to the appendix page)

MODEL No.	MAX. OUTPUT POWER (W)	OUTPUT VOLTAGE (Vo)	MIN. LOAD (Io)	MAX. LOAD (Io)	LOAD REGULATION	LINE REGULATION	RIPPLE & NOISE
EM1300xA	230W	12V~18V	0A	13.33A	$\pm 5\%$	$\pm 1\%$	240mV
EM1300xB	240W	12V~18V	0A	20.00A	$\pm 5\%$	$\pm 1\%$	240mV
EM1300xC	250.2W	12V~18V	0A	20.85A	$\pm 5\%$	$\pm 1\%$	240mV
EM1300xD	260W	19V~28V	0A	13.68A	$\pm 5\%$	$\pm 1\%$	360mV
EM1300xE	270W	19V~28V	0A	14.21A	$\pm 5\%$	$\pm 1\%$	360mV
EM1300xF	270W	32V~42V	0A	8.43A	$\pm 5\%$	$\pm 1\%$	630mV
EM1300xG	270W	44V~56V	0A	6.13A	$\pm 5\%$	$\pm 1\%$	840mV
EM1300xH	280W	19V~28V	0A	14.73A	$\pm 5\%$	$\pm 1\%$	360mV
EM1300xM	290W	19V~28V	0A	15.26A	$\pm 5\%$	$\pm 1\%$	360mV
EM1300xN	300W	19V~28V	0A	15.78A	$\pm 5\%$	$\pm 1\%$	360mV
EM1300xP	310W	32V~42V	0A	9.68A	$\pm 5\%$	$\pm 1\%$	630mV
EM1300xQ	310W	44V~56V	0A	7.04A	$\pm 5\%$	$\pm 1\%$	840mV

NOTE:

- 1 : Ripple & Noise is measured by using 20MHz bandwidth limited oscilloscope and terminated each output with a 0.1uF ceramic capacitor & parallel with 47uF aluminum capacitor at full load and nominal line.
- 2 : Line regulation is defined by changing $\pm 10\%$ of input voltage from nominal line at rated load.
- 3 : Max. Power (W) $\geq V_o \times I_o$

Electrical Specification

INPUT

- Input Range: 100 to 240 VAC
- Frequency: 50 to 60Hz
- Input Current: 5A to 2.5A
- Inrush Current: 75A/100VAC 140A/230VAC
- Hold Up Time: ≥ 8.3 ms
- Turn On Time: ≤ 3 s

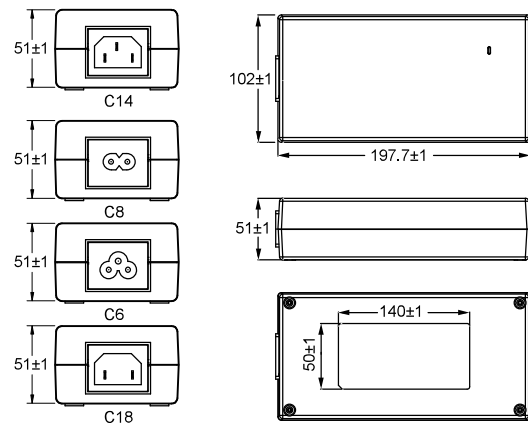
OUTPUT

- Short Circuit Protection: Auto Recovery
- Over Voltage Protection: Latch-off
- Over Current Protection: Auto Recovery
- Over Temperature Protection: Latch-off

ENVIRONMENT

- Operating Temperature: 0 to 40°C
- Storage Temperature: -20 to 85°C
- Operating Humidity: 10% to 90%
- Storage Humidity: 5% to 95%

Mechanical Specification

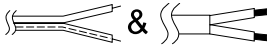
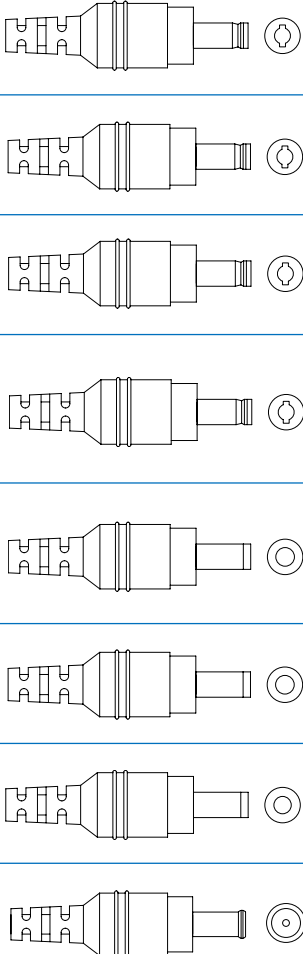
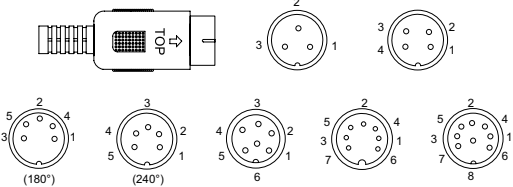


- Case Size: 197.7L x 102W x 51H (mm)
- AC Inlet: C14, C8, C6, C18
- Weight: 1350g

SAFETY

- Certified for whole series: UL/cUL 60601-1, TUV EN 60601-1, CB IEC 60601-1, FCC, CE

Appendix: Plug List of Output Cable

CODE	PLUG TYPE	SPECIFICATION	OUTLINE / DRAWING
00	Strip & Tined	NC	
01	Barrel Type	5.5x2.1	
02		5.5x2.5	
03		4.75x1.7	
04		4.0x1.7	
05		3.5x1.35	
06		2.35x0.7	
07		6.3x3.0	
08		6.5x1.4	
11		Barrel Type Right Angle	
12	5.5x2.5		
13	4.75x1.7		
14	4.0x1.7		
15	3.5x1.35		
16	2.35x0.7		
17	6.3x3.0		
18	6.5x1.4		
21	Din (male)	3Pin	
22		4Pin	
23		5Pin(180)	
24		5Pin(240)	
25		6Pin	
26		7Pin	
27		8Pin	

Appendix: Plug List of Output Cable

CODE	PLUG TYPE	SPECIFICATION	OUTLINE / DRAWING
31	Mini-Din (male)	3Pin	
32		4Pin	
33		5Pin	
34		6Pin	
35		7Pin	
36		8Pin	
41	Power-Mini Din (male)	3Pin (Molding)	
42		4Pin (Molding)	
45		3Pin (Assembly/Lock Type)	
46		4Pin (Assembly/Lock Type)	
61	Interchangeable Connector	2Pin	
62		2Pin	
63		3Pin	
71	Switchcraft Locking Type	A:5.5, B:2.5 C:0.375"(9.52mm)	
72		A:5.5, B:2.5 C:0.475"(12.06mm)	
73		A:5.5, B:2.1 C:0.375"(9.52mm)	
74		A:5.5, B:2.1 C:0.475"(12.06mm)	
81	DC Jack with Screw	A:5.5, B:2.1, C:7.5	
82		A:5.5, B:2.1, C:10.1	
91	Cigarette Lighter		
92	USB Type C		